

Pressure Gauge

NG 63 / 100 damped by glycerine filling

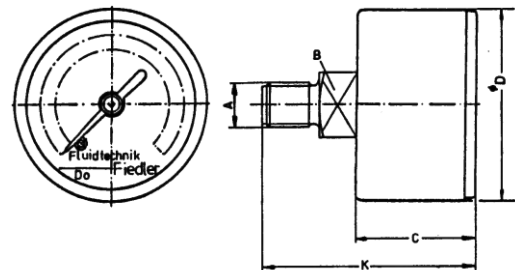
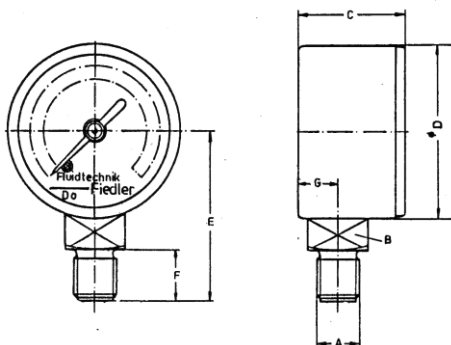
(To be used for all fluid and gaseous media when they are high viscous, crystallized and do not draw on copper alloy.)

FT0115xxxx



Technical data

Case:	stainless steel 1.4301
Pane:	Non breaking synthetic
Supply:	Brass
Measuring instrument:	Tube feather insist on copper alloy, from 25 bar screw feather
Dial plate:	Aluminium, combined scale, bar and psi
Exactness:	NG 63 ± 1,6 % DIN 16005 NG 100 ± 1,0 % DIN 16005
Temperature range:	-20 °C to +60 °C
Pressure range:	0 to 600 bar



NG	A	B	C	D1	E	F	G	H	I
63	R1/4"	14	36	63	57	15	3	5	13
100	R1/2"	22	36	100	81	20	5	6	14

Bottom connection

Range	∅ 63 mm	∅ 100 mm
4	01155604	01155904
10	01155606	01155906
25	01155608	01155908
60	01155610	01155910
100	01155611	01155911
160	01155612	01155912
250	01155613	01155913
400	01155614	01155914
600	01155615	01155915

Backward connection

Range	∅ 63 mm
4	01152104
10	01152106
25	01152108
60	01152110
100	01152111
160	01152112
250	01152113
400	01152114
600	01152115