

Designation

Gear pumps 2-RO

Output 10 ... 25 l/min at 1500 rpm

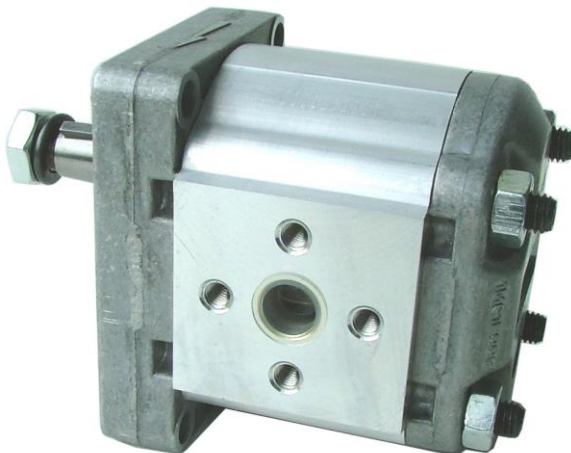
Type

FT 01 000 0xx

FIEDLER gear pumps guarantee extremely high and constant operating performance due both to the special system of balancing of the hydraulic loads on the bearings and to the high degree of accuracy of their working and the accurate choice of materials used.

Take the following items into consideration for selection of the FIEDLER gear pumps

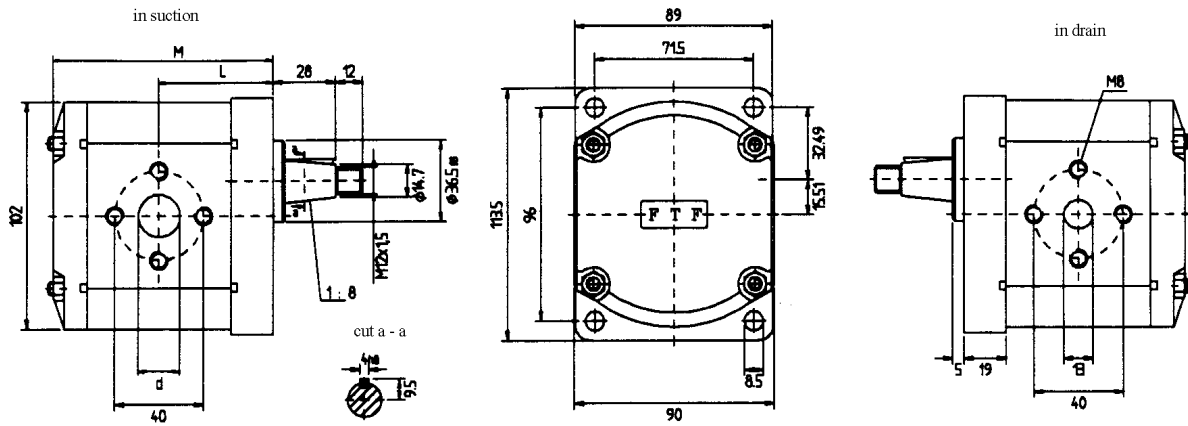
- *Drive pump only in indicated direction of rotation*
 - *Axial or radial loads are not allowed on the shaft. The coupling should be sized to absorb the peak horsepower developed*
 - *For the first start the pump must work 1 ... 2 minutes without load. After the pump can work with max. load.*
 - *The ambient fluid temperature is +80°C*
 - *The filter fineness in the system should be 25µm or better. (for high pressure pumps type RO use filters with 10µm fineness)*
- gear pumps with high operating performance
 - mounting position is free
 - industrial pressure 300 bar
 - accurate work and accurate choice of the used material



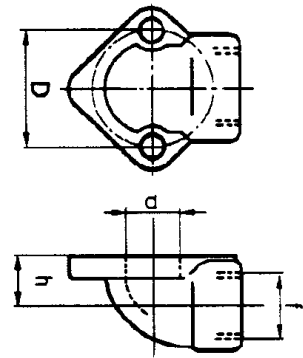
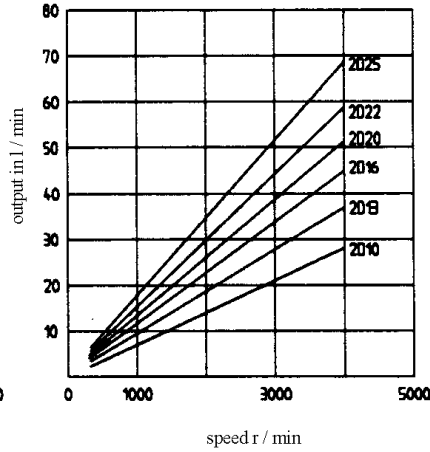
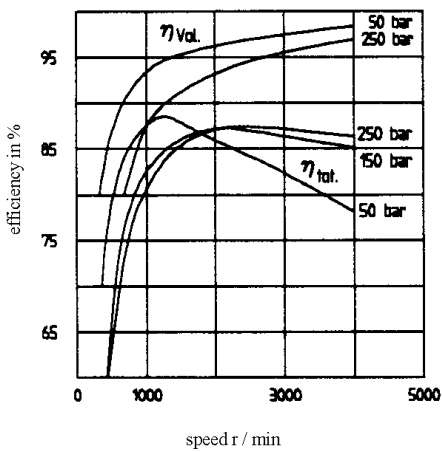
Technical data

- pressure in suction
-0,3 ... 3 bar
- fluid temperature
-10°C ... +80°C
(optionally -40°C ... +80°C)
- viscosity 6 ... 500 cSt
- filtration 10µm
- noise < 80 dB (A)

Dimensions



Characteristic curves



Measure and other relevant informations

TYPE	output		max. operating pressure	max. peak pressure	Speed max rpm	dimensions			order code
	cm ³ /r	l/min 1500rpm				L	M	d	
2D9RO	6,4	9,1	280	310	4000	47	95	13	01 000 021
2D10RO	7	10,0	270	310	4000	47,5	96	13	01 000 007
2D13RO	9,6	13,7	260	300	3000	49,5	100	13	01 000 008
2D16RO	11,5	16,4	260	300	4000	51	103	19	01 000 009
2D20RO	14,1	20,1	250	280	4000	53	107	19	01 000 010
2D22RO	16,0	22,8	250	280	4000	54,5	110	19	01 000 011
2D25RO	17,9	25,5	240	270	3600	56	113	19	01 000 012