

Description

Power control valve with check valves and speed regulators

FT 01 020 640

Connection to DIN 24340; NG6
CETOP 03



Technical data:

Construction:
2way power control valve
with non return valves;
pressure compensated;
Volumetric flow control
independent to the viscosity

Power consumption:
0,5-20 l/min

Operating pressure:
max. 350bar

volume flow rate:
1-20l/min

Material /Weight:
11SMnPb30+C ; 9 kg

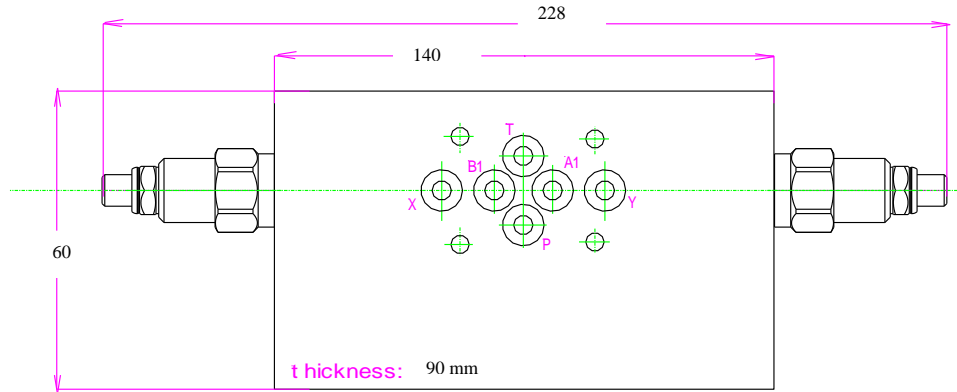
Temperature:
-20°C ... + 80°C
Viscosity:
10 ... 300 mm²/s

oil:
mineral oil (HM,HV)
to DIN 51524

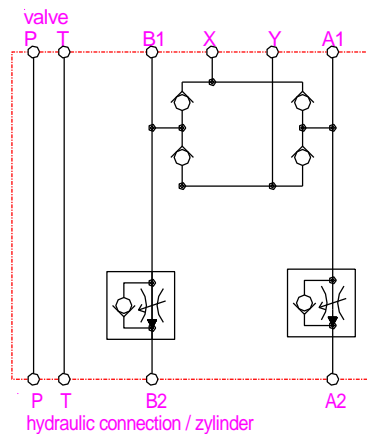
degree of contamination:
to ISO 4406
class 21/18/15

O-ring:
4x Ø9,3x1,78 NBR

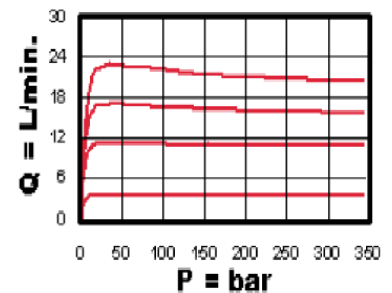
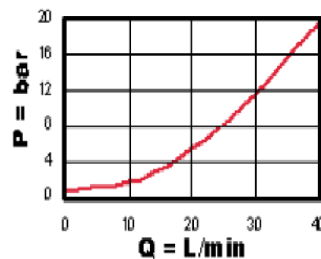
Order code:
FT 01 020 640



Symbol



Characteristic



Technical change reserved