

Designation

Gear pumps 1-RO

Output 2 ... 9 l/min at 1500 rpm

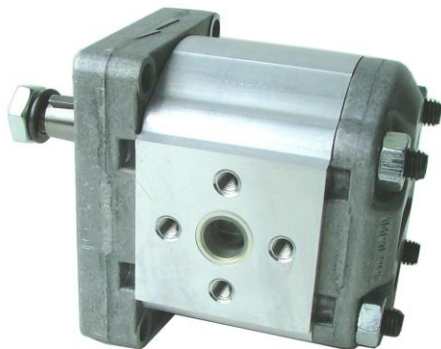
Type

FT 01 000 0xx

FIEDLER gear pumps guarantee extremely high and constant operating performance due both to the special system of balancing of the hydraulic loads on the bearings and to the high degree of accuracy of their working and the accurate choice of materials used.

Take the following items into consideration for selection of the FIEDLER gear pumps

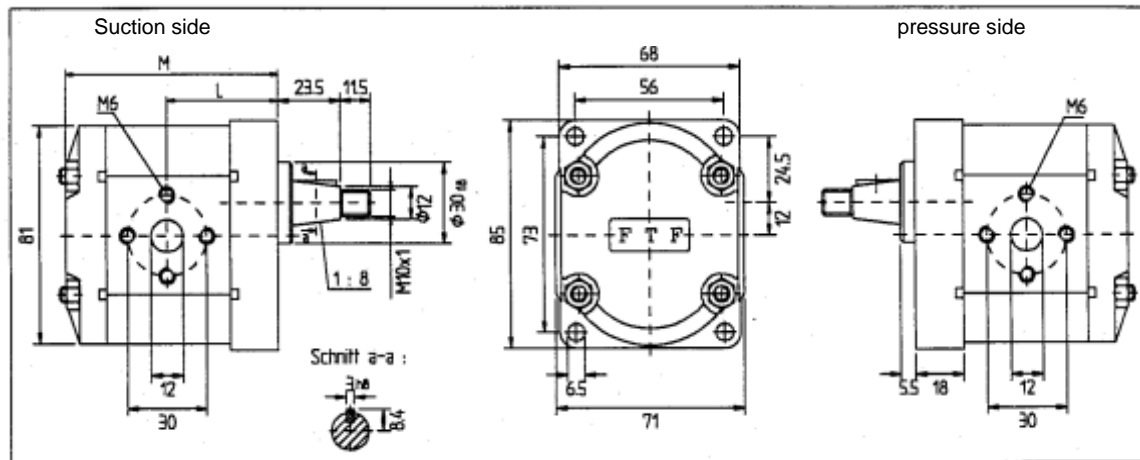
- *Drive pump only in indicated direction of rotation*
 - *Axial or radial loads are not allowed on the shaft. The coupling should be sized to absorb the peak horsepower developed*
 - *For the first start the pump must work 1 ... 2 minutes without load. After the pump can work with max. load.*
 - *The ambient fluid temperature is +80°C*
 - *The filter fineness in the system should be 25µm or better. (for high pressure pumps type RO use filters with 10µm fineness)*
- gear pumps with high operating performance
 - mounting position is free
 - industrial pressure 300 bar
 - accurate work and accurate choice of the used material



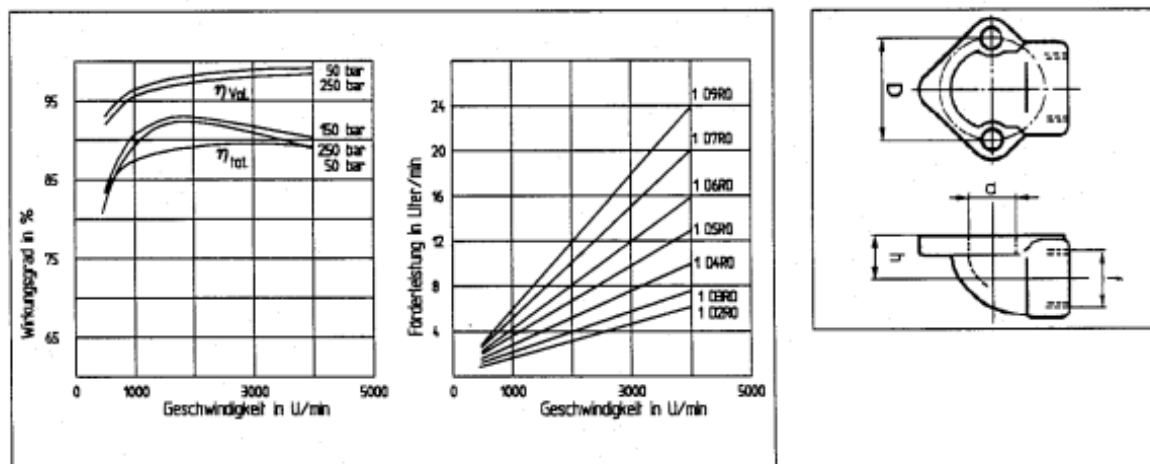
Technical data

- pressure in suction
-0,3 ... 3 bar
- fluid temperature
-10°C ... +80°C
(optionally -40°C ... +80°C)
- viscosity 6 ... 500 cSt
- filtration 10µm
- noise < 80 dB (A)

Dimensions



Characteristic curves



Measure and other relevant informations

TYPE	output		max. operating pressure	max. peek pressure	Speed max rpm	dimensions			order code
	cm ³ /r	l/min 1500rpm				L	M	d	
1D2RO	1,4	2,0	250	270	6000	41	80	-	01 000 001
1D3RO	2,1	2,9	250	270	6000	42	82	-	01 000 002
1D4RO	2,8	3,9	250	270	5000	43	84	-	01 000 003
1D5RO	3,5	4,9	250	270	5000	44	86	-	01 000 018
1D6RO	4,1	5,9	250	270	4000	45	88	-	01 000 004
1D7RO	5,2	7,4	230	245	3500	46,5	91	-	01 000 005
1D9RO	6,2	8,8	230	245	3000	48	94	-	01 000 006