

Filler strainer with breather cap

FT 02 140 005

This assembly is a combination of filler strainer and breather cap for installation in the liquid container.

Filler strainers prevent the ingress of coarse impurities during the refilling process.

The filler strainer consists of a solid plastic mesh. The large filter surface allows a rapid filling of the liquid.

The breather plug with sealing disc vents the tank after a lower pressure of 10 mbar respectively is reached.

The sealing disc prevents the contamination of the oil from the outside (dust) and an air filter is not required.

In addition this ensures that no oil can spill to the outside, neither by excessive agitation in the tank.

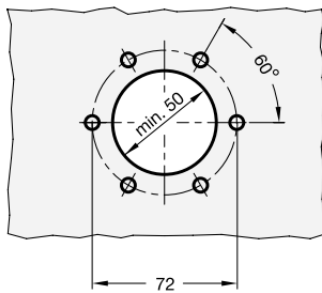
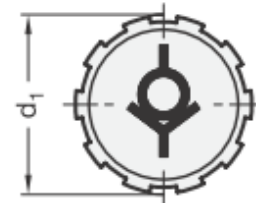
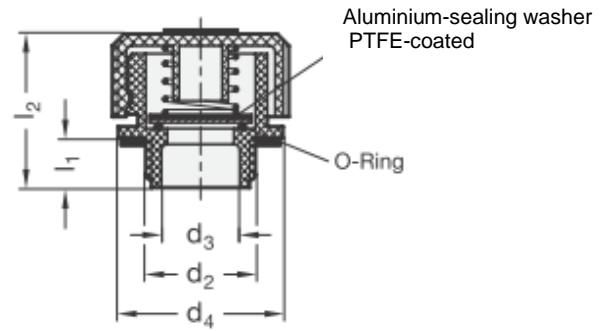
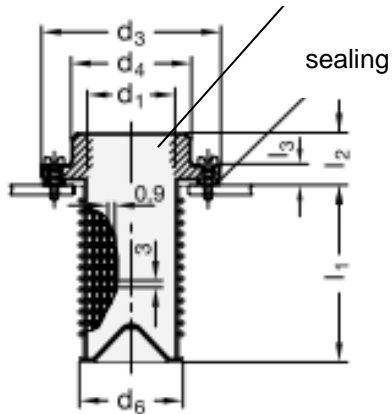
The disc is PTFE-coated which prevents it from sticking to the O-ring and ensures the maintenance of the opening pressure.



- Filler screen and vent screw in one device
- Threaded flange
Plastic (Polyamide PA)
Glas fibre reinforced, black
- Filler strainer
Plastic (Polypropylen PP)
Glas fibre reinforced, black,
temperature restistant up to 90°C

Dimensions:

Reduction G1 ¼ / G1



d1	G1 1/4
d3	83
d4	56
d6	49
l1	94
l2	23
l3	9

d2	G1
d3	16
d4	41
l1	12
l2	37